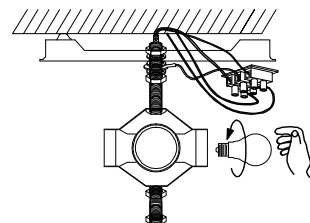
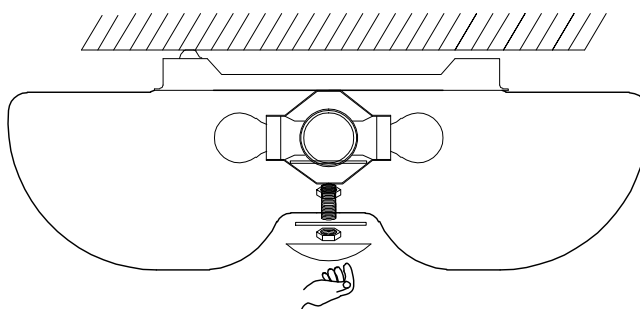


1



2



3

Model: SCALE B